

Light

BIG

DESIGN BY GERMANY

LED LASER SERIES

MODEL NAME: BE-FS02B

USER GUIDE

Service and repair

The Laser Show equipment has no major serviceable parts. Repair of electronic-components (transistors, IC's) or changing other parts are not allowed by untrained persons. If there is a problem with the Laser Show equipment, your local service engineer will help you with repair or replacement. We recommend shipping the Laser Show equipment to the manufacturer for reparation.

Attachments:

1. Laser Light:	1PCS
2. Power Cable:	1PCS
3. User Guide:	1PCS

WARNINGS

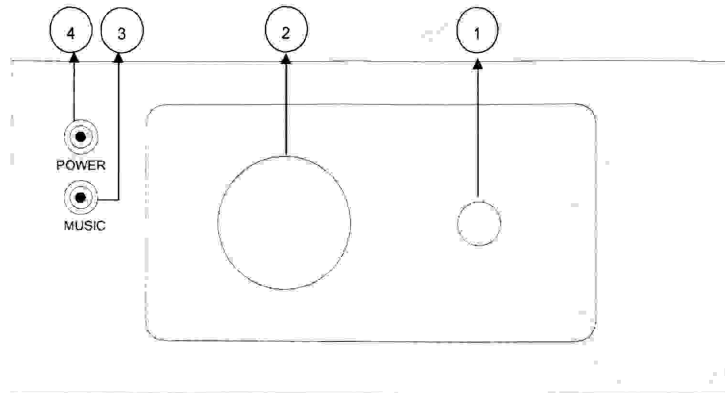
- Visible and invisible laser-light, direct beam can damage the human eye and the eyes of animals. Do not look at any Laser light directly.
- Do not touch the laser aperture with the hand. When cleaning the laser aperture, please use a soft cloth with alcohol or camera lens paper.
- Do not take apart or modify the equipment. Fire or electrical shock may result.
- In the unlikely event that you hear unusual noise, see smoke, feel excessive heat or smell anything unusual, immediately unplug the power source and contact your retailer.
Continued use may result in fires or electrical shock.
- Do not use flammable sprays near this equipment. Also do not spill water, liquids, or flammable liquids on the equipment. If fluids enter this equipment and contact the electrical parts, fires or electrical shock may result. If anything enters the equipment, immediately unplug the power supply and contact your retailer.

Installation

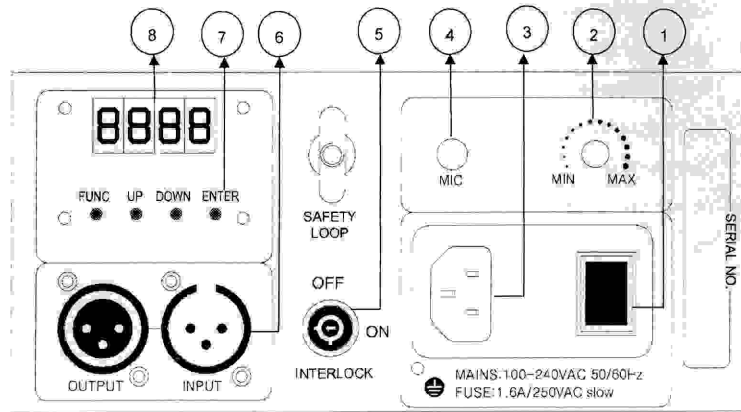
1. Carefully inspect your Laser Show equipment after you unpack it. If any damage is evident, such as dents or scratches on the covers or broken knobs, etc., immediately notify your carrier and your local sales distributor.

Hang up the equipment in a safe place. Ensure there are no barriers in front of the laser aperture.

Front and Rear panel view:



- 1. Laser Aperture
- 2. LED Aperture
- 3. Sound active indicator
- 4. Power indicator



- 1. ON/OFF switch
- 2. Sound sensitivity knob
- 3. Power Jack
- 4. Microphone
- 5. Key lock
- 6. DMX linking jack
- 7. Function setting buttons
- 8. LCD screen

Features of the product:

1. Laser power: 100mW red laser @650nm, 50mW green laser @532nm
LED power: 3W RED, 3W BLUE, 3W GREEN
2. Scanner system: Micro stepper motor
3. Working Modes: Sound Active, Auto run, DMX512 (9 CH), Master/slave mode.
4. Interface: 3 pins XLR jack for DMX or Maser-Slave linking
5. Input power: AC 220V~240V, 50/60Hz. Rated power: 35W.
6. Packing Size: L*W*H=31*29.2*14cm; Weight: 2.6KG

Function and Setting

When laser is switched on, LED monitor on rear panel shows the current operating standalone mode or DMX address of DMX mode. With help of LED control panel, it's easy to set and change the operating mode of laser. After every resetting and saved, the new mode information will be shown on LED monitor at next power on.

- FUNC Mode/Function Option, to choose the operating mode of laser.
- UP UP/DOWN, to change operating mode, parameter or DMX address.
- DOWN
- ENTER Confirmation, to confirm all setting or change of LED control panel.

Press FUNC to choose standalone mode, SLAW and d001 mode.

Standalone modes as follows, press UP or DOWN to change the current mode:

LCD Display		Standalone mode description
ASAL	ASAL	Laser and LED auto run, also activated by sound (Recommend mode)
Sound	SOUD	Laser and LED activated by sound
ALAS	ALAS	Laser auto run
Auto	AUTA	Laser and LED auto run
Any H	AMIXA	Laser and LED auto run (stay ON, no strobe)

Instruction for DMX channels

CH 1	Mode select	0~39	Laser OFF	
		40~79	Laser auto run	
		80~119	LED auto run	
		120~199	Laser and LED auto run	
		200~240	Sound active mode	
		241~255	DMX manual mode (select CH2~CH9)	
CH 2	Laser running speed	0~255	Slow to fast	
CH 3	Laser rotation direction	0	Stop rotation	
		1~80	Clockwise rotation	
		81~160	Stop rotation	
		161~255	Counter-clockwise rotation	
CH4	LED running speed	0~255	Slow to fast	
CH5	LED rotation speed	0	Stop rotation	
		1~80	Clockwise rotation	
		81~160	Stop rotation	
		161~255	Counter-clockwise rotation	
CH6	Laser color select	0~10	Laser off	
		11~40	Red	
		41~80	Green	
		81~120	Red and Green	
		121~160	Red stay ON, green strobe	(CH7 select strobe speed)
		161~200	Green stay ON, red strobe	
		201~255	Red and green strobe alternately	
CH7	Laser strobe speed	0~10	Stop strobe	
		11~250	Slow to fast	
		251~255	Sound active control	

CH8	LED color select	0~29	LED OFF	
		30~59	Blue LED ON	
		60~89	Green LED ON	
		90~119	Green and Blue LED ON	
		120~149	Red LED ON	
		150~179	Red and Blue LED ON	
		180~209	Red and Green LED ON	
		210~239	RGB LED ON	
		240~255	RGB color gradually change (Only valid under CH9 choose the changing speed)	
CH9	LED strobe speed	0~10	Stop strobe	
		11~250	Slow to fast	
		251~255	Sound active control	

TROUBLE SHOOTING

- If the power supply indicator is off and the laser doesn't work, please check the power supply and the input voltage.
- In sound active mode, if the power supply indicator is ON and sound active indicator is OFF, but the laser doesn't work.
 - Because sound is too small and cannot activate laser running, please increase the music volume or increase audio sensitivity on rear panel.
 - Please check if unit has been set up in slave mode, or DMX mode.
- In Master-Slave operation, slave units don't function, please check as below.
 - Make sure there's only one master in the chain, and the others are set in slave mode.
 - Make sure to control the units without DMX controller.
- If the output beam direction above is unusual, please restart the unit.
After trying the above solution you still cannot sort out the problem, please contact your dealer or our company for service.