

Channel 1:Flash speed    Channel 2:off ,brightness adjustment

	ADDRESS									
DIP	1	2	3	4	5	6	7	8	9	10
OFF	0	0	0	0	0	0	0	0	0	
ON	1	2	4	8	16	32	64	128	256	512

### Setting of function

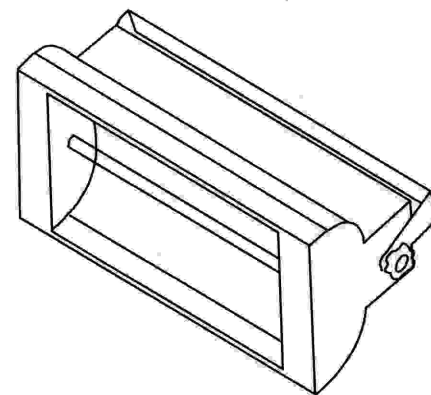
10	9~2	1	Function
OFF	ADDRESS		DMX512 control
ON	NO USE	OFF	Speed and Light control
ON	NO USE	ON	Line and Light control

### Technology Parameter:

- 1、 Voltage:AC 220V~240V±10%/50-60HZ
- 2、 Rated Power: 1800W
- 3、 Fuse: 20A
- 4、 Lamp: 1500W
- 5、 Size: 53×30×19cm
- 6、 N.W.: 4.7Kg
- 7、 G.W.: 4.2Kg

注：地址码

1	2	3	4	5	6	7	8	9	10	11	12
1	1,5	1,6	1,5,6	1,7	1,5,7	1,6,7	1,5,6,7	1,8	1,5,8	1,6,8	1,5,6,8



BF-001



# DMX-1500W STROBE LIGHT

# USER'S MANUAL

# Index

- 1、 Introduction
- 2、 Warning
- 3、 Operation
- 4、 Paramcter
- 5、 Maintenance

## Introduction

1500W digital strobe, this light has 3 work methods: DMX receive, automatic and controller control. Suit use in any entertainment place.

Features:

- \*Use 1500W high quality flash tube, high brightness.
- \*DMX-512 control, 2 DMX channels—brightness, flash speed.
- \*DIP function and address selection switch.

## Warning:

- 1、 Please read this brochure carefully before your operation, Please obey the operation index and keep it well.
- 2、 It suit use indoor, the light should be placed at the aeration place, to avoid short-circuit by the moisture and rain.
- 3、 Please power off when cleaning the light.
- 4、 Never install the light close to the hot place, to avoid increase the temperature of the light to damage the light.
- 5、 Never jam the airy hole, make sure the aeration and cooling well.
- 6、 Light must connect to the power which have the earth line, the power supply should be accordance with the rated voltage of the light.
- 7、 Never insert the irrelative goods, to avoid the goods touch the high voltage part to lead the part short-circuit and fire, or shock accident, influence the normal work of the light.
- 8、 You must ask the professional for maintenance if you meet some problem.

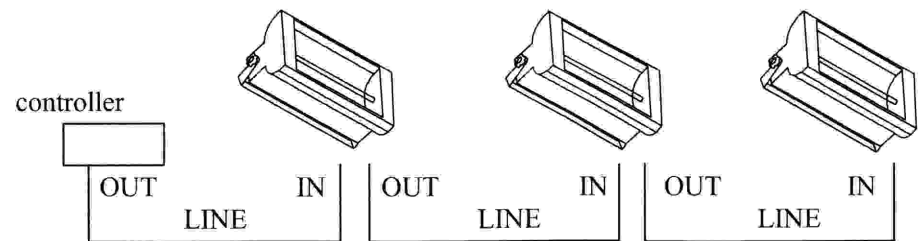
## Operation

» Stand alone operation:

\*Set the DIP 10 at ON, DIP 1 at OFF, connect to the power, adjusting the 2 buttons of the brightness and speed to the suitable position.

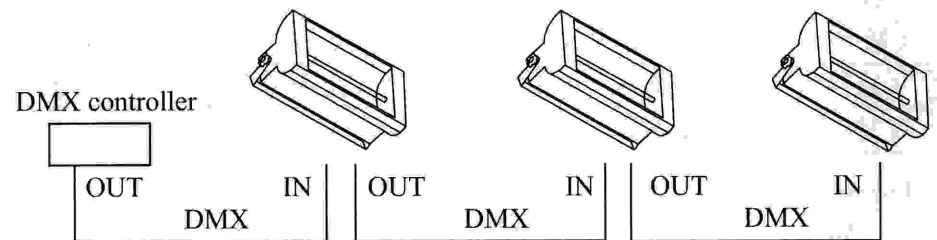
» Controller operation:

\*Connect the signal cable according to the chart 1, set the DIP 10 and DIP 1 at the ON position in the same time. Connect to the power, adjusting the brightness of the light, then, you can use the controller adjust the flash speed of the light. Various strobe connect in a line up to a synchronous effect.



DMX controller operation:

\*Connect the signal cable according to the chart 2 set the DIP 1 at ON, set the DIP 10 at OFF, set the IP code, connect to the power, then, use the controller adjust the flash speed and brightness of the light. Various strobe connect in a line up to a synchronous effect.



1、 Connection of DMX 512:

Controller have output DMX512 signal standard. Connection via the "input" and "output"—3XLR connector finish. Control signal cable must connect to the corresponding 3 pin XLR connector when outputting, 1 earth, 2(-), 3(+). Or exchange solder 2 and 3. the length of the signal, cable should within 100m, prevent the interference of other appliance because of the over long signal cable.

2、 Setting of the IP code:

This light must controller by DMX512 all the light of this model must be set a digital start IP code, easy for corresponding light and corresponding control signal have function. This digital start address is the frequency phase code, the start of the light is obey to the digital control signal which sent by the console. This light have 2 digital control frequency phase at present. The address range is 1~512.