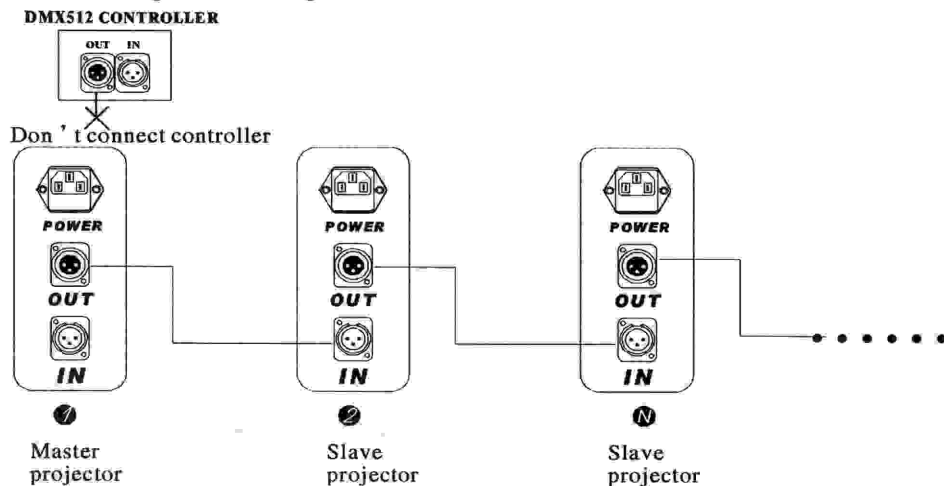


- **NOTICE:** 1. No overloading connection, the same branch without over 32 units.
 2. Terminal matching connection, connect a resistance of 1 20 ohms between the Foot 2 and Foot 3 of DMX output Pin 3 socket of the last equipment of the branch

Notice about Master-slave synchronization

1. When the master machine is running, the light will send DMX-512 signals. However, it can't be connected to the controller, otherwise, they will interrupt each other, thus that can not be synchronized.
2. While many lights are using master-slave synchronization, only one of them can be master, or they can't be synchronized

Schematic diagram for setting Master/ slave Model:



Safety Information:



1. Please make sure to switch off the power before installation or maintenance.
2. Please keep the fan expedite and environment ventilated.
3. This LED projector is designed for the indoor, so while using, please avoid any dripping. If you want to use outdoor, please do enough waterproof measure.
4. Please get acquainted with the properties the light before Installation, operating or maintaining, as most damage are caused by wrong operating without acquaintance.
5. Do not use any power voltage or light type of different specifications.
6. Please do not look at the LED light directly, in case it might damage the eyes.
7. Avoid electric shock!
8. Do not use it frequently under the humid atmosphere.

➤ **Maintenance:**

We suggest that clean the light with professional glass cleaning and downy cloth.

can not only get the largest power of the light.

Keeping the light clean regularly

BM-MD1007 Eight-star LED



User's guide

PROFESSIONAL LED

At first, thank you for purchasing this LED lighting. For the sake of safety and regular operation of this projector, please read this manual carefully before using and operating it, lest incur any personal injury or damage to the projector.

Product instruction:

The device adopted high-quality bright LED as luminous source, having the advantage of small power consumption, no heat, long life span, high reliability. With 200 pcs led diodes in red, green, blue, it can be realize various lighting effect. Different patterns would be changed flexibly with music or sound. It has four control modes: automatic control, DMX-512 control, Sound control and master-slave synchronization control. The standard international DMX-512 signal control makes the difference between our products and other's.

Specification:

Lighting Source: 200pcs 5mm LED diodes

Multi-voltage operation: AC 220V-240V,50/60HZ

Power consumption:50w

Working environment: indoor 20°C-40°C

Function model: Automatic, Sound controlled, Master/slave

Channel: 7Channels with standard DMX 512 signal

Installation instruction:

After unpacking, please check whether the device has been damaged on the way of transporting, such as screw loosening, reflecting mirror broken, etc.

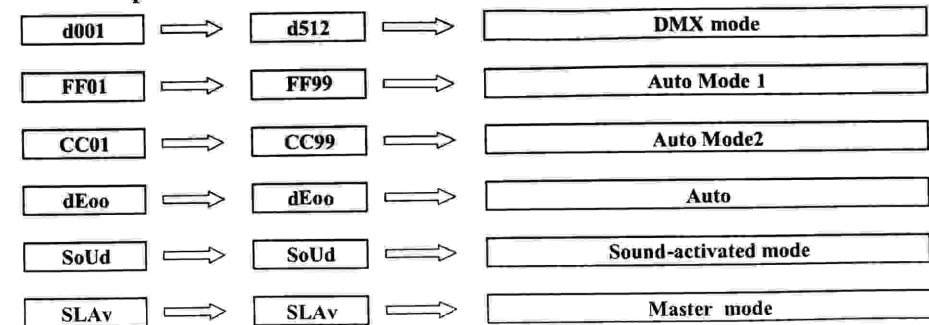
Check before electrification. Check whether the device has been laid correctly and stably, whether the voltage of the power is adapted to the requirement, otherwise we'll not be responsible for the damage of the light.

This projector is the first class protected equipment. Noticed that ground wire have to connect to the earth properly by professionals. Please make sure the actual input voltage is complied with the requirement of the device.

Digital Display operate

Digital Display Operate

After starting press **MANU** enter into main-menu, Press **UP** (on) **DOWN** (down) to select the submenu, and then press **ENTER** ensure



DMX512 Function

Channel	DMX512 Value	Function
CH1	0-5	Shut off
	6-49	Effect 1
	50-104	Effect 2
	105-154	Effect 3
	155-204	Effect 4
	205-252	Effect5
	253-255	Dimmer
CH2	0-255	Front Rotation
CH3	0-255	peed adjustment
CH4	0-18	R
	19-37	G
	38-55	B
	56-73	RG
	74-91	GB
	92-109	RB
	110-127	RGB
	128-147	R
	148-165	G
	166-183	B
	184-201	RG
	202-219	GB
	220-237	RB
238-255	RGB	
CH5	0-255	Zoom f om fast to slow
CH6	0-255	Counter Rotation
CH7	0-255	Strobe from fast to slow

DMX-512 FunctionSignal Connection

This product is assembled with DMX input and output 3 pins XLR socket, while all connection is that Pin 1 is connected to the ground, Pin 2 is connected the negative pole signal, Pin 3 is connected the Positive pole signal.

This product applies for 3 pins XLR socket, the connection of many units as following:

