

USER MANUAL

PROFESSIONAL STEREO ECHO AMPLIFIER SYSTEM

CATALOG

⇒FOREWORD	1	⇒ connect with system	4
⇒CHARACTER.....	1	⇒ the name and function of the each part of the back panel	5-6
⇒FOR THE SAFE USING	2	⇒ the name and function of the each part of the back panel	7
⇒Attention before connecting	3	⇒ the way of tune microphone	8
⇒The way of connect speaking	3	⇒ Troubleshooting	9
		⇒ Product characteristic	back

FOREWORD

Thanks for purchasing our professional Karaoke power-amplifier.

Please read this instruction carefully at first and keep it well ,so that you can effective understand and manage the function of the product.

CHARACTER

- model S: adopt 3s surroud,system function, achieve surround solid effec
- model Q: adopt double ninth dimensional sound poise chart adjust(63,125,250,500,1k,2k,8k,16kHz) frequency range.
- It have excellent timbre and cogent output(250wx2)can make the timbre of Karaoke, LDP, TAPE,LP etc even more substantiate.
- Have Echo and mic stereo tune
The function of digital Echo and the mic stereo tune make you get into r ambience of the stage
- Have excellent function of adjust timbre
Have the function of the mic each adjust timbre
Have indie system of adjust timbre
- Have the function of adjust the whole timbre proportion
- When ON/OFF the circuitry inside will clear up the souffle

For the safe using

- ☞ When the machine appear unconventionality phenomena
If it appear souffle and unconventionality smell in the during of use , pleast shut off the power at once. stop use ,Then contact serving center of our company or contact the shop your buy from there. request servicing

- ☞ NO opening the crust
Because the machine have the high voltage ,NO opening the crust ,touch the machine inside or make bold to change the circuitry , avoiding get an electric shock, otherwise when the accident happened, our company have no responsibilities for it .

- ☞ Leave unused for a long time
For the safety ,please shut off the power switch , pull out the power plug, avoid the fire.
Avoid the water or other eyewinker in it .
Avoid the water, metal, and the goods of flammability get into from intake. Avoid get an electric shock or the accident of fire ,if it has happed, please shut off the power, stop using , Then contact serving center of our company or contact the shop your buy from there. request servicing.

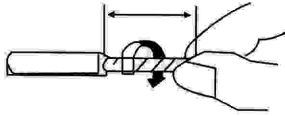
- ☞ The using of the power plug
When insert or pull out the plug ,must take the power plug, forbid to pull the electrical wire with the wet hands. Avoid to break or get an electric shock.
Attention: NO putting the power plug under machine or intermix among others. Set the power away from crowd, avoid to get an eletric shock or fire accident with the plug disrepaired.

Attention before connecting

- When the machine connect with other machine, after connect the function that you want choice , then turn on the power switch.
- Affirm terminal of the track of the left and right . Then begin to connect.
- Audio frequency plug must be connected substance.

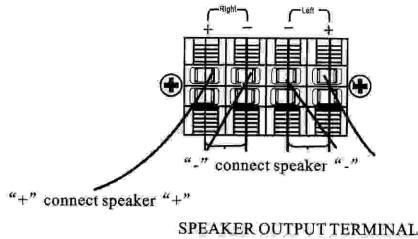
The way of connect speaking

- The way of connect the plug of speaking
Shuck the wire of the speaking, trim the core off the sire

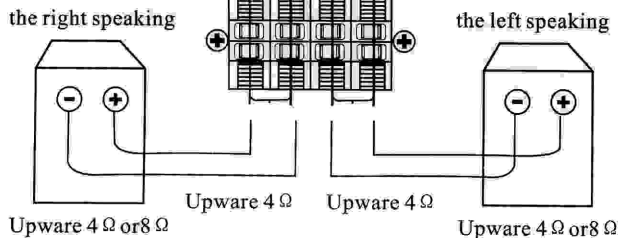


*Attention

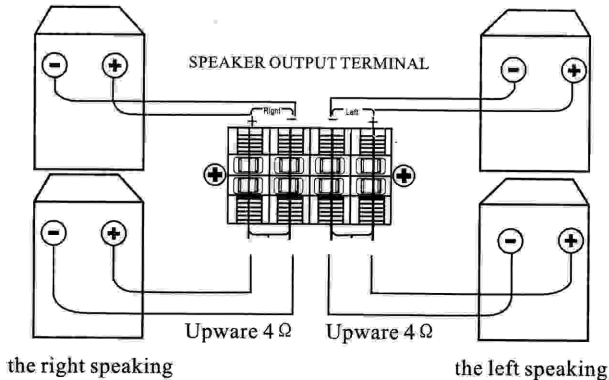
Avoid to make the speaking wire mixed, when the speaking wire mixed with others ,it will be bring the machine trouble.



- 1 push down the lever, then insert the speaking wire
- 2 make the lever recover, then fix up the speaking wire

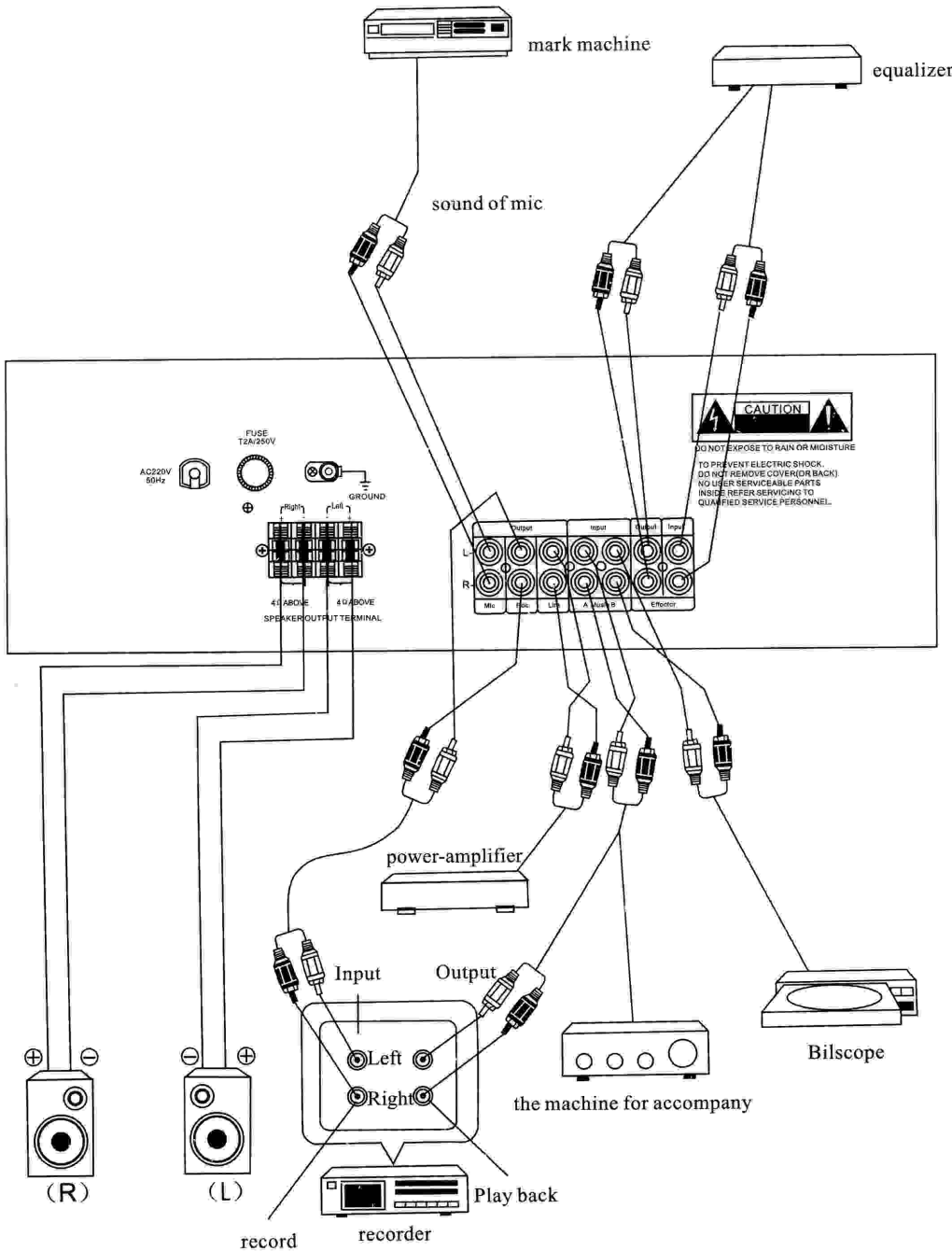


when connect the 4 Ω or 8 Ω speaking



when connect two 8 Ω group speaking

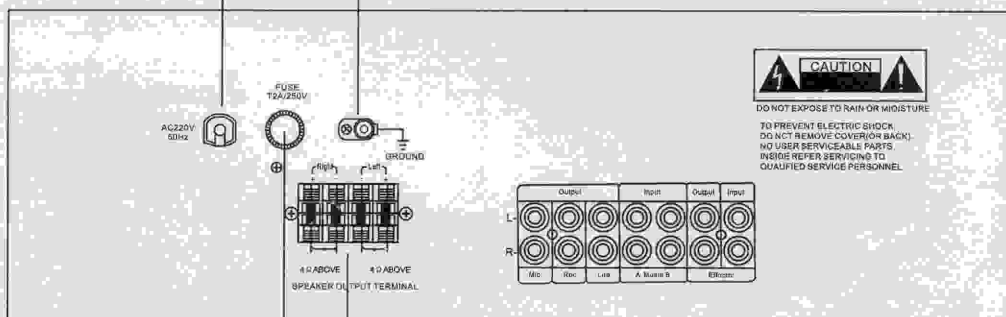
Connect with system



The name and function of the each part of the before panel

<power connect with plug>
 affirm the tension at AC220V, then connect the power plug

<earthing terminal>
 for avoid to get an electric shock , please make earthing set .



<Fuse>
 for protect the machine it must be select befitting fuse, select 2A fuse when tension at 220V. Insert the power plug , while the machine is no working , please check the fuse . If change the fuse ,must pull out the power plug first, select befitting fuse .

<speaker output terminal>
 make the seeing and hearing place as level . The left speaking system connect with left terminal. The right speaking system connect with right terminal. It wioo be connect homopolarity , namely "+"connect "+", "-"connect "-". If the connecting is wrong ,while unable hear normal effect of timbre, also damage the life of the machine.

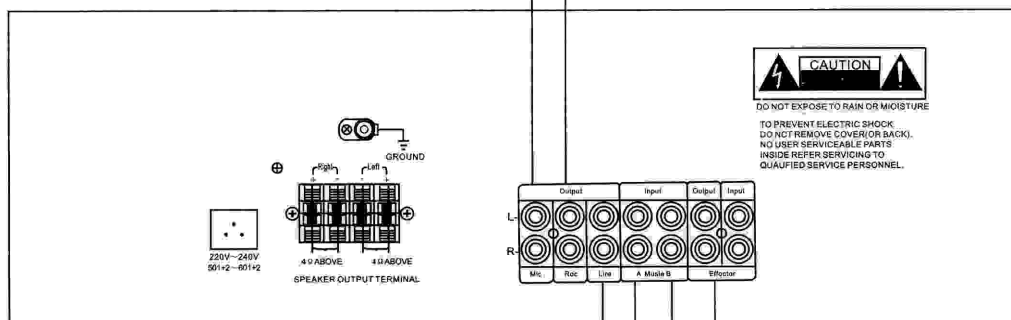
The name and function of the each part of the back panel

<microphone output terminal >

only output the volume of microphone ,can be used with connect with mark machine

<record output terminal>

connect with the recorder, can record the Echo sound



<assistant terminal>

can make the whole sound that output transportation others amplifier.

<music input terminal A,B>

can be used when connect with LDP, Karaoke, recorder.

<circumjacent equipment input or output terminal>

can use with circumjacent etc outside equipment . This terminal has "U" type plug, when it connect with exterior equipment ,poll out the "U" type plug, whereas insert the "U" type plug,. If not insert the plug ,there will no sound be outputted.

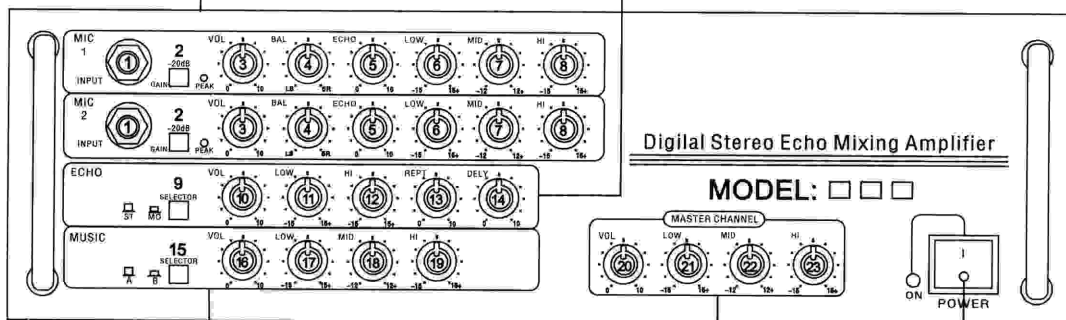
The name and function of the each part of the before panel be used for ks-203

Microphone adjust

- 1 mic input jack :be use with mic or others input terminal of sound source signal.
- 2 lower sound switch: when the sound source signal overrun the input signal of the mic ,push down this key
- 3 volume: the function of adjust the sound high or low.
- 4proportion: The function of volume of the lejt and right
- 5 Echo: when use Echo ,adjust the middle place
- 6 low volume: the function of adjust the mic to low volume
- 7 middle volume: the function of adjust the mic to middle volume
- 8 high volume: the function of adjust the mic to high volume

Echo

- 9 vonvertor :adjust stereo or signal track
- 10 volume :proper adjust the volume of the Echo
- 11 low volume: the function of adjust low volume of Echo
- 12 high volume: the function of adjust high volume of Echo
- 13 rept: the function of adjust repeat of Echo
- 14 DELY: the function of adjust the speed of Echo



Music timbre adjust

- 15 convertor: the exterior machine of the back panel 1,2 input choice switch
- 16 volume: Adjust the volume that connect with the back panel exterior 1,2 input machine
- 17 low volume :Adjust the sound source to low volume
- 18 middle volume :Adjust the sound source to middle volume
- 19 high volume :Adjust the sound source to high volume

System timbre adjust

- 20 volume :Adjust the whole volume of the machine
- 21 low volume : Adjust the mic to low volume of the whole volume
- 22 middle volume : Adjust the mic to middle volume of the whole volume
- 23 high volume: Adjust the mic to high volume of the whole volume

Power swith

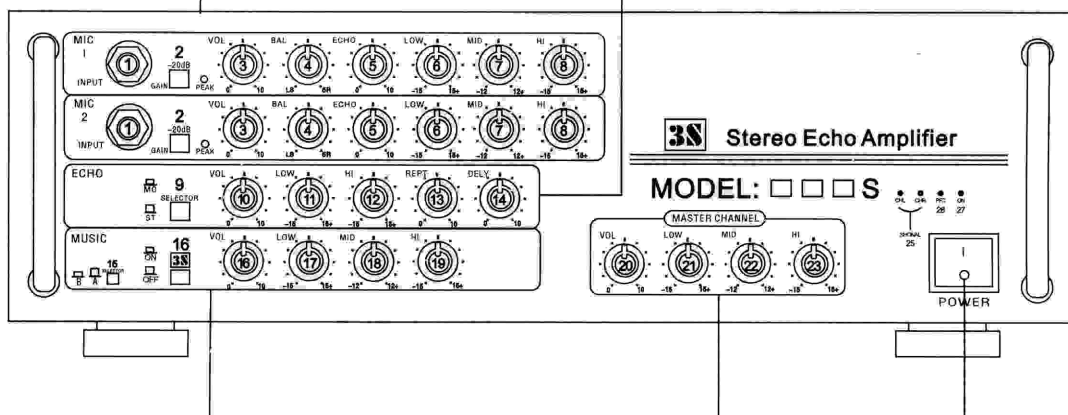
- 24 If push down the switch, the machine begin to work(the red is light) otherwise, shut off r power (the red is not glowing)

Microphone adjust

- 1 mic input jack :be use with mic or others input terminal of sound source signal.
- 2 lower sound switch: when the sound source signal overrun the input signal of the mic , push down this key
- 3 volume: the function of adjust the sound high or low.
- 4proportion: The function of volume of the lejt and right
- 5 Echo : when use Echo ,adjust the middle place
- 6 low volume: the function of adjust the mic to low volume
- 7 middle volume: the function of adjust the mic to middle volume
- 8 high volume: the function of adjust the mic to high volume

Echo

- 9 vonverter :adjust stereo or signle track
- 10 volume :proper adjust the volume of the Echo
- 11 low volume: the function of adjust low volume of Echo
- 12 high volume: the function of adjust high volume of Echo
- 13 rept: the function of adjust repeat of Echo
- 14 DELY: the function of adjust the speed of Echo



Music timbre adjust

- 15 convertor: the exterior machine of the back panel 1,2 input choice switch
- 163S on/off switch: select the function of surround solid
- 17 volume: Adjust the volume that connect with the back panel exterior 1,2 input machine
- 18 low volume :Adjust the sound source to low volume
- 19 middle volume :Adjust the sound source to middle volume
- 20 high volume :Adjust the sound source to high volume

System timbre adjust

- 21 volume :Adjust the whole volume of the machine
- 22 low volume : Adjust the mic to low volume of the whole volume
- 23 middle volume : Adjust the mic to middle volume of the whole volume
- 24 high volume: Adjust the mic to high volume of the whole volume

Power swith

- 25 signal indicator light: the imdicator light appear the CHL is left , the CHR is right
- 26 unconventionality indicator light: when the circuitry inside appear unconventionality, it can be light
- 27 power indicator light: push down the power switch, turn on the power, it can be light , contrarily , the power is shut off.

Microphone adjust

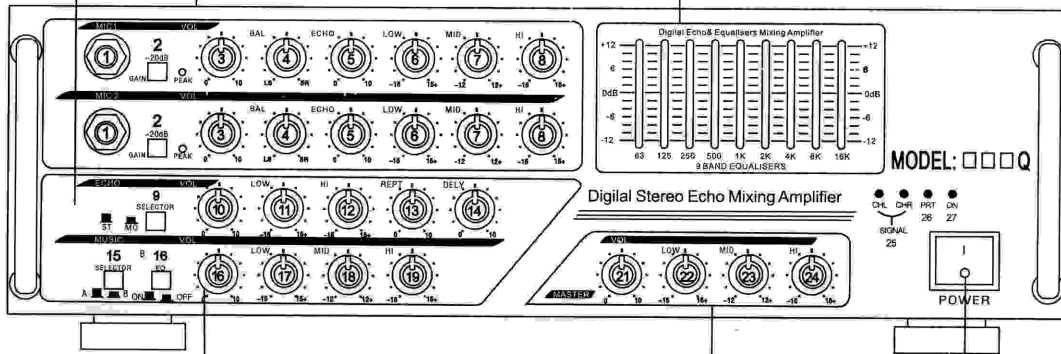
- 1 mic input jack :be use with mic or others input terminal of sound source signal.
- 2 lower sound switch: when the sound source signal overrun the input signal of the mic , push down this key
- 3 volume: the function of adjust the sound high or low.
- 4 proportion: The function of volume of the left and right
- 5 Echo : when use Echo ,adjust the middle place
- 6 low volume: the function of adjust the mic to low volume
- 7 middle volume: the function of adjust the mic to middle volume
- 8 high volume: the function of adjust the mic to high volume

Echo

- 9 convertor :adjust stereo or signal track
- 10 volume :proper adjust the volume of the Echo
- 11 low volume: the function of adjust low volume of Echo
- 12 high volume: the function of adjust high volume of Echo
- 13 rept: the function of adjust repeat of Echo
- 14 DELY: the function of adjust the speed of Echo

Equilibria

- 28 Double ninth solid figure equilibria adjust 63Hz, 125 Hz, 250 Hz, 500 Hz, 1KHz, 2KHz, 4KHz, 8KHz, 16KHz.



Music timbre adjust

- 15 convertor: the exterior machine of the back panel 1,2 input choice switch
- 16 music tone on/off switch: select music tone LOW , MID, HI
- 17 volume: Adjust the volume that connect with the back panel exterior 1,2 input machine
- 18 low volume :Adjust the sound source to low volume
- 19 middle volume :Adjust the sound source to middle volume
- 20 high volume :Adjust the sound source to high volume
- 21 volume :Adjust the whole volume of the machine

System timbre adjust

- 22 low volume : Adjust the mic to low volume of the whole volume
- 23 middle volume : Adjust the mic to middle volume of the whole volume
- 24 high volume: Adjust the mic to high volume of the whole volume

Power swith

- 25 signal indicator light: the imdicator light appear the CHL is left , the CHR is right
- 26 unconventionality indicator light: when the circuitry inside appear unconventionality, it can be light
- 27 power indicator light: push down the power switch, turn on the power, it can be light , contrarily , the power is shut off.

Microphone adjust means

● What is the microphone adjust?

General , mixed a sort of sound with the other sound ,then it can sent out the third sound.
Example ,mix the microphone sound with tape or CD in a proper way.

Karaoke is a commissary of the microphone Echo

● Microphone adjust setting means in the end

Microphone or music volume knob criterion place between 4-5. Whenas for sound enrichment human, please thereof microphone volume adjust small a little.

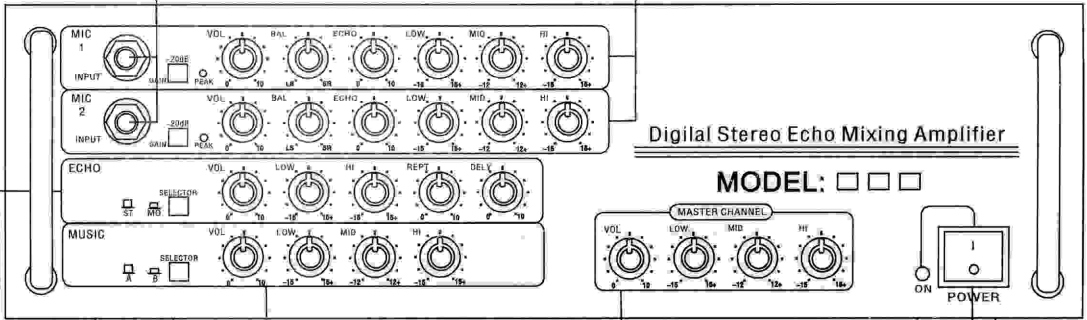
Operate order:

insert mic

2

mic 1, 2 adjust each volume

5



Digital Stereo Echo Mixing Amplifier

MODEL:

MASTER CHANNEL



6

adjust mic mixing

4

adjust music tone

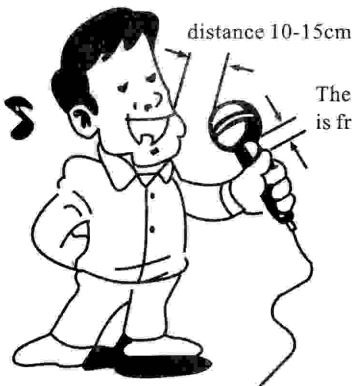
3

adjust the whole volume

1

Power

Operating instructions



right instructions

The microphone and mouth is from 5 to 10 centimeters

If the microphone head is covered by hand or the microphone is approached to the speaker a howling sound may be generated.



error instructions

Troubleshooting

If it go wrong, please stop using .

If you are unable to solve the problem , contact your dealer.

Problem	Reason	Solution .
microphone no sound whole no sound one track no sound	<ul style="list-style-type: none"> • Check the power plug • balance knob incline one side • speaking wire not prepared 	<ul style="list-style-type: none"> • insert the power plug • connect speaking wire again
has music but microphone no sound	<ul style="list-style-type: none"> • the microphone plug not connected well • the microphone volume was too low 	<ul style="list-style-type: none"> • insert the microphone plug • adjust the knob • check job state of microphone
has microphone sound but no music	<ul style="list-style-type: none"> • back input plug not prepared • the machine connected was not adjust well • the music system of machine was not adjust well 	<ul style="list-style-type: none"> • check the connected machine state • adjust the knob of the whole music system.
has microphone sound but no Echo effect	<ul style="list-style-type: none"> • Echo system was shut off • Echo system not adjust well 	<ul style="list-style-type: none"> • put all the tune knob of the Echo system to the middle place, then begin to adjust.
power indicator light not glowing	<ul style="list-style-type: none"> • power plug not prepared • check fuse 	<ul style="list-style-type: none"> • make sure the power plug • pull out the power plug first ,then change the fuse.

※When the product was trouble, must contact serving center of our company or dealer, don't look for others repair shop .

communication content

--address, name, telephone number
 --product name, model, purchase date
 --the trouble explain
 --require the date that received the service

☞ This product you buy from the day which you operate and use normally has the right of service to repair for one year. You can take volunteer repair. If the customer can not use crrectly or overrun one year from the date you buy, our company will charge the material and repair.

Power	AC220V/50Hz
Exhausted power	250WX2
Weight.....	12KG
Meas	420(W)x128(H)x360(D)mm
output power.....	100W+100W4 Ω
THD.....	±3 (1KHz)
Frequency Response	20Hz-20KHz
SN Ratio	80dB
Mic Input Sensitivity.....	10MV
Input sensitivity 1.2.....	200MV
Record output	1V
Assistant output.....	1V

Timbre adjust

SYSTEM Tone adjust	80Hz ± 15dB
	3.5KHz ± 8dB
	12KHz ± 15dB
Music tone adjust	80Hz ± 15dB
	1.2KHz ± 8dB
	12KHz ± 15dB

Technology empolder

TAIWAN

Standard number

Q/EJYS01-2002

Put on records number

QB/44078533300-2002