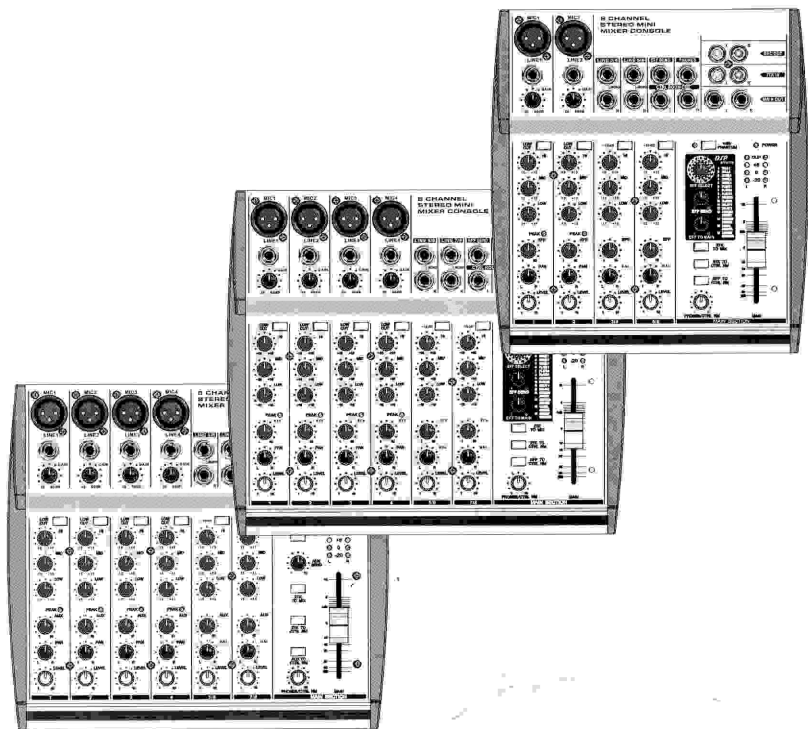


6/8 CHANNELS MS SERIES MINI MIXER

USER'S MANUAL



SAFETY PRECAUTIONS!

WARNING - TO REDUCE THE RISK OF FIRE OR ELECTRIC SHOCK, DO NOT EXPOSE THIS UNIT TO RAIN OR MOISTURE.

Do not allow water or liquids to be spilled into this unit. If the unit has been exposed to rain or liquids, please unplug the power cord immediately from the outlet (with DRY HANDS) and get a qualified servicetechnician to check it. Keep this unit away from heat sources such as radiators, heat registers, stoves, etc. This unit contains no user-serviceable parts. Refer all service needs to a qualified service engineer through a Globedealer.

This unit contains no user-serviceable parts. Refer all service needs to a qualified service engineer through a Globedealer.



This triangle on your component alerts you to the presence of uninsulated dangerous voltage inside the enclosure that may be sufficient to constitute a risk of shock.

This triangle on your component alerts you to important operating and maintenance in-structions in this accompanying literature.

CAUTION:

TO REDUCE THE RISK OF ELECTRIC SHOCK, DO NOT REMOVE COVERS (OR BACK). NO USER-SERVICEABLE PARTS ARE INSIDE. REFER ALL SERVICING TO A QUALIFIED SERVICE PERSONNEL.

Keep this unit clean by using a soft dry brush and occasionally wiping it with a damp cloth. Do not use any other solvents, which may damage the paint or plastic parts. Regular care and inspection will be rewarded by a long life and maximum reliability.

Your **MINI Mixer** was carefully packed at the manufacturing site and the packing box was designed to protect the unit from rough handling. We recommend that you carefully examine the packaging and its contents for any signs of physical damage, which may have occurred during transportation.

If the unit is damaged: **Notify your dealer and the shipping company immediately**. Claims for damage or replacement may not be granted if not reported properly or in a timely manner.

INTRODUCTIONS

Welcome you using this series mini mixer. It has small size, handsome outline and perfect functions.

It is easy to schlep or operate. It must be a ideal equipment you need.

Please read this manual carefully to know all functions and operations of the product well, in order to operate the unit at the good condition.

FEATURES

- 2~4 mono input channels and 2 stereo input channels.
- 3-band frequency equalizer for each input channel.
- Adopt low-noise discrete Mic pre-ampfier on microphone inputs.
- Optional low cut filter to reduce low frequency interfere for mono input channels.
- 2 stereo inputs with 10dB input sensitivity selector.
- 1 AUX out.
- Independently 2 channels input and record output.
- Flexible monitor out and headphone output.
- Peak indicator on each mono channel.
- Provide +48V phantom power for condenser microphone.
- The one use DSP EFF in this series, has a built-in 16 presets DSP effect processor.

CONTENTS

Precautions	-----2
Introductions/Features/Contents	-----3
Control panel	-----4
Mono channel section	-----4
The stereo channel	-----5
Master control section	-----6
Rear panel section	-----8
Application example	-----9
Specifications	-----10
System block diagram	-----11

● Mono channel section ① MIC

This is an XLR type connector for microphone, the input level range: -60~-20dB.
This connector can provide +48V phantom power for condenser microphone when the phantom power switch is on.

② LINE

This is a balanced 1/4" phone jack for linking a line level source, input level range: -40~0dB

③ GAIN control

Use this knob to adjust the level of the input signal to the optimal level. For the best balance of S/N ratio and dynamic range, adjust this knob so that the peak indicator lights occasionally.

④ Low Cut switch

A low cut filter will be inserted to input circuitry of this channel when this switch pressed down to reduce low frequency interfere.

⑤ HI

This knob controls the frequency equalizer at higher frequency point. Max adjust range +/-15dB @ 12KHz

⑥ MID

This knob controls the frequency equalizer at middle frequency point. Max adjust range +/-15dB @ 2.5KHz

⑦ LOW

This knob controls the frequency equalizer at lower frequency point. Max adjust range +/-15dB @ 80Hz

⑧ AUX(not use DSP EFF)

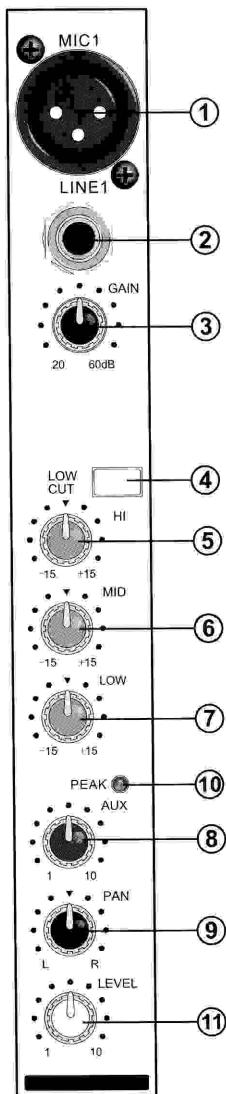
This rotary fader sends out the channel signal to AUX bus. The signal is pre-fader so that the aux send to be independent of the fader.

EFF(use DSP EFF)

This rotary fader is used for controlling the signal level from the built-in effect processor, it has been set after the channel fader, so they are enslaved to the fader position.
Adjust this rotary when you use effector on this channel.

⑨ PAN

This knob is used for distributing the signal level of the channel feed to L/R buses. They are equal which are feed to bus when the knob locates in the middle.



⑩ PK Peak Indicator

This red LED will warn you when an excessively high signal level is present in the channel. The signal is sampled in front of channel fader. It will light approximately 3dB before clipping and therefore give warning of a possible overload.

⑪ LEVEL Channel Fader

This rotary fader controls the output level feed to main bus from the input channel, adjusting the volume balance between channels. Rotate left to the top when the channel is free.

● The stereo channel

① L/MONO R

They are two unbalanced 2-pole phone jacks for stereo line input, the input level range: -10dB. If the source signal is mono please plugs into the left channel socket (L/Mono).

② -10dB Attenuator

This switch allows you to match the sources connected to the stereo input sockets ①. The line input signal will be faded -10dB when this switch is pressed down.

③ HI

This knob controls the frequency equalizer at higher frequency point. Max adjust range +/-15dB @ 12KHz

④ MID

This knob controls the frequency equalizer at middle frequency point. Max adjust range +/-15dB @ 2.5KHz

⑤ LOW

This knob controls the frequency equalizer at lower frequency point. Max adjust range +/-15dB @ 80Hz

⑥ AUX(not use DSP EFF)

This rotary fader sends out the channel signal to AUX bus. The signal is pre-fader so that the aux send to be independent of the fader.

EFF(use DSP EFF)

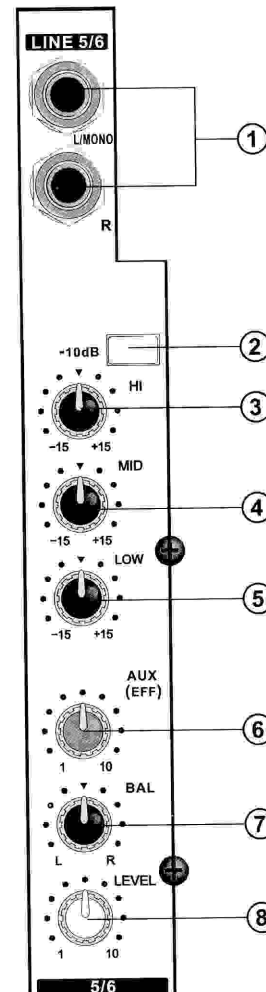
This rotary fader is used for controlling the signal level from the built-in effect processor, it has been set after the channel fader, so they are enslaved to the fader position.
Adjust this rotary when you use effector on this channel.

⑦ BAL (Balance) control

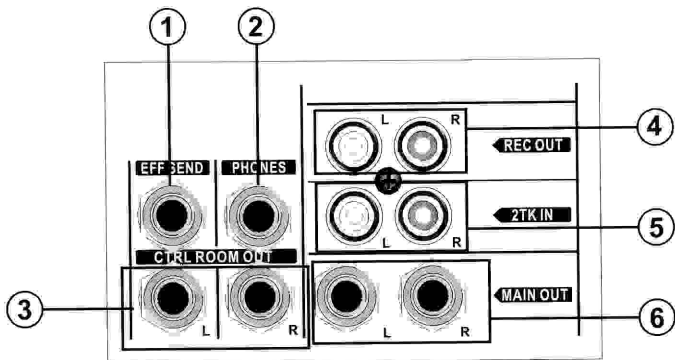
This control sets the amount of the channel signal feeding the left and right mix bus, allows you to locate the source smoothly across the stereo image.

⑧ LEVEL Channel fader

This rotary fader controls the output level feed to main bus from the input channel, adjusting the volume balance between channels. Rotate left to the top when the channel is free.



● Master control section



① AUX SEND(not use DSP EFF)

This jack socket sends the auxiliary signal.

EFF SEND/FT SW(use DSP EFF)

This is jack for sending EFF output signals. It also can be linked to a switch to control the built-in effects processor.

② PHONES

This jack socket sends the signals from main out or tape player to the headphone. Used to monitor the main signal from L/R channels, or the player input and the AUX input. Monitor point is decided by the ⑬ and ⑭ (or ⑰)

③ CTRL RM

These two jack sockets send stereo signals from main out or tape player to the control room speakers

④ REC OUT

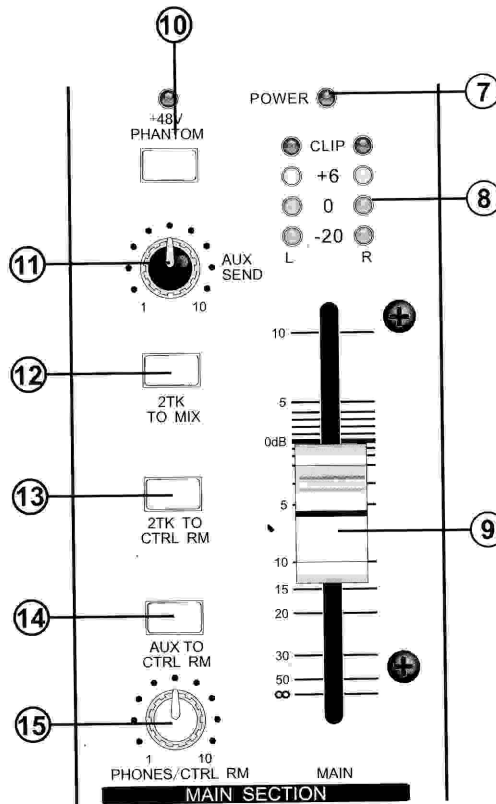
These two RCA sockets from which send out left and right main output signal for recording.

⑤ 2TK IN

These two RCA jacks get stereo signals from a external player to the mixer.

⑥ MAIN (L, R)

These sockets send line level signals from the mixer to external devices (for example: EQ or a power amplifier).



⑨ MAIN output control

This slide fader is used for adjusting the final output level sent to the main output sockets.

⑩ +48V Phantom Power Switch and Indicator

This switch is used for turning on or off +48V phantom power. +48V voltage will be present on the socket of each microphone input channel when this switch is pressed down. Notices: rotate off all channel fader before turning on/off this switch; Don't plug or unplug microphone after this switch were turned on; Don't turn on the switch when a dynamic microphone is in use.

⑪ AUX SEND

This knob controls the signal level sent to the AUX SEND socket.

⑫ 2TK TO MIX

The input signal from 2TK RET sockets can be feed to the main bus and got on the main out sockets when this switch is pressed down.

⑬ 2TK TO CTRL RM

Press down this button to feed the PLAY signal to the control room and headphones; release this button to feed the main signal to the control room and headphones.

⑭ AUX TO CTRL RM

Press down this button to feed the AUX signal to the control room and headphones; and the AUX signal is not controlled by the ⑬

⑮ PHONES / CTRL RM

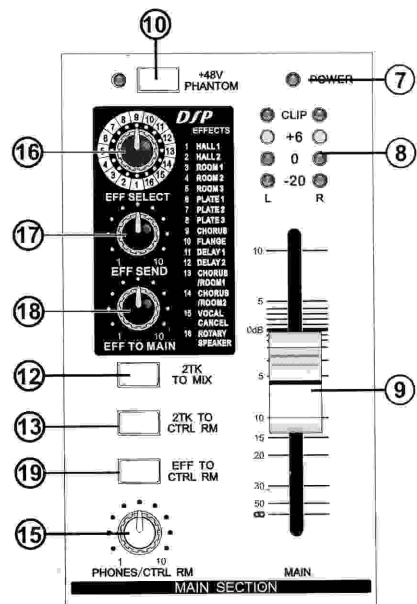
This knob controls the signal level to the control room and headphones.

⑦ Power Indicator

Indicates work status of the internal DC power supply.

⑧ Output Level meter

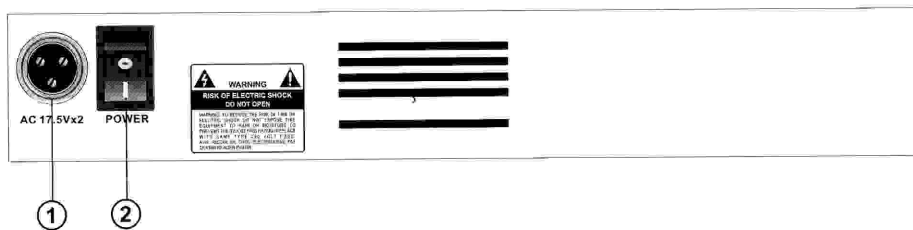
This level meter indicates the signal level of the stereo main output (Left and Right) or play input (switched synchronously with the signal sent to the phones jack)



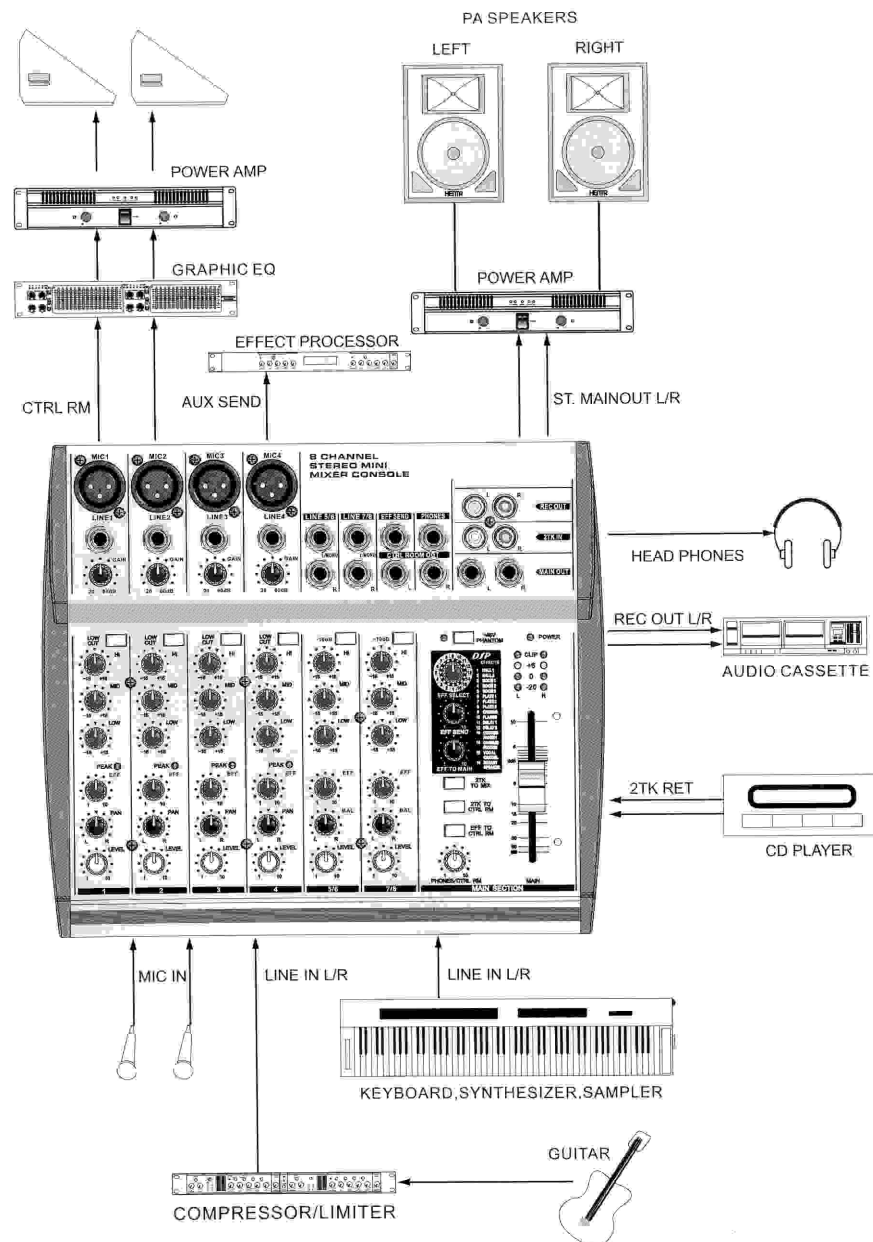
Use DSP EFF

- 16 EFF SELECT**
This knob is used for selecting one from 16 kinds of effects. (refer to the effects table beside the selector).
- 17 EFF SEND**
This knob is used for controlling the signal level feed to the internal effector from all input channels and also controlling the signal level output from the EFF SEND sockets.
- 18 EFF TO MAIN**
Main effect output level controller for controlling the effect signal level of main output.
- 19 EFF TO CTRL RM**
Use this knob to control the signal level of control room and headphone.

• Rear panel section



- 1 17.5Vx2 AC Power Supply Socket**
This AC power supply socket is used for connect the adapter attached (do not use other adapter).
- 2 AC Power Switch**
Use this switch to turn on/off the AC power.



SPECIFICATIONS

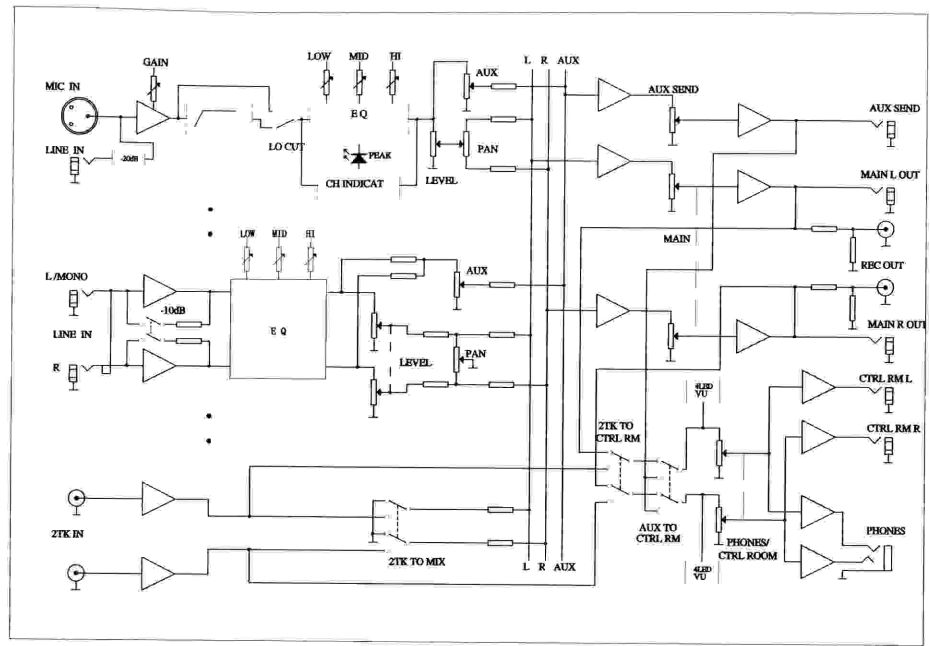
Inputs	Number	Input modes	Connector	Input Impedance	Rated Input level
Mono MIC IN	2~4	Balanced	XLR	2Kohm	-60dB
Mono LINE IN	2~4	Balanced	3-poles TRS	47Kohm	-40dB
L/R LINE IN	2	Unbalanced	2 TRS	10Kohm	-10dB
L/R PLAY IN	1	Unbalanced	2 RCA	10Kohm	-10dB

Outputs	Number	Outputs modes	Connector	Outputs Impedance	Rated Output level
Stereo MAIN OUT	1	Unbalanced	2 TRS	75ohm	+4dB
CTRL RM	1	Unbalanced	2 TRS	75ohm	+4dB
AUX SEND	1	Unbalanced	TRS	75ohm	+4dB
Stereo REC OUT	1	Unbalanced	2 RCA	1Kohm	-10dB
HEADPHONE	1	Unbalanced	3-poles TRS	75ohm	3mW @36ohm

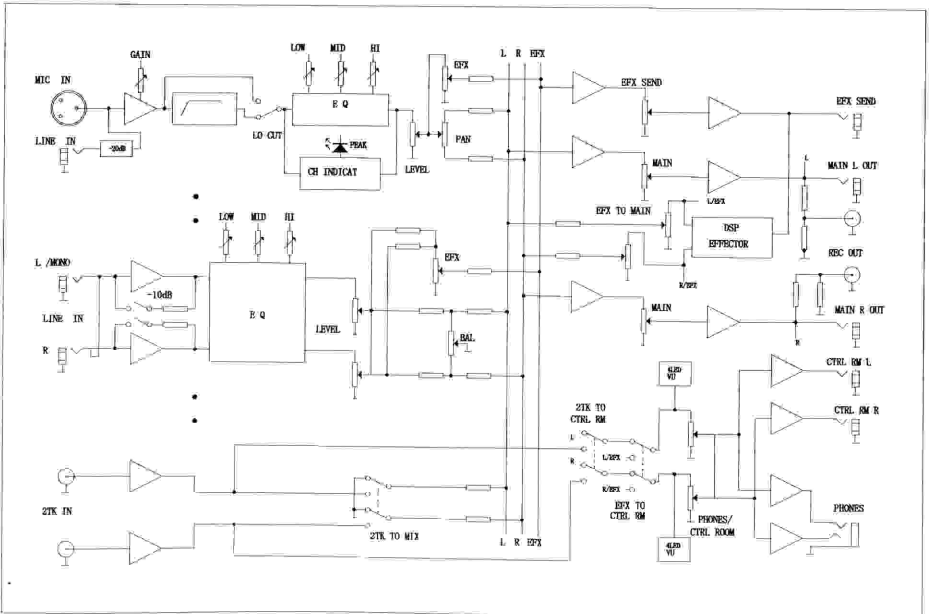
Max gain	Signal route	Conditions
72dB	MIC IN-----MAIN L/R, AUX SEND	@620ohm Load
78dB	MIC IN-----CTRL RM OUT L/R	@620ohm Load
62dB	MIC IN-----REC OUT	@10Kohm Load
52dB	MONO LINE IN-----MAIN OUT L/R	@620ohm Load
22dB	ST. LINE IN-----MAIN OUT L/R	@620ohm Load
22dB	AUX RET-----MAIN OUT L/R	@620ohm Load
16dB	2TK IN-----MAIN OUT L/R	@620ohm Load
16dB	2TK IN-----CTRL RM OUT L/R	@620ohm Load

Channel EQ	HI 12KHz	MID 2.5KHz	LOW 80Hz	max equalizing value +/-15dB
Low cut filter			80Hz 18dB/OCT	
Total harmonic distortion	<0.1%	@+14dB	20~20000Hz	620ohm load
Frequency response	+1/-2dB	@+4dB	20~20000Hz	620ohm load
Max out level	+20dB	@0.5%THD	1KHz	620ohm load
Microphone preamp E.I.N	-124dB	@ 150ohm		at max gain
Power	See the label on the adapter			
Power consumption	7W			

SYSTEM BLOCK DIAGRAM



Not use DSP EFF



Use DSP EFF