

360W MOVING HEAD WASH USER MANUAL

TECHNICAL SPECIFICATIONS

PAN-movement Er

(PAN-yoke movement error) This message will appear after the reset of the fixture if the yoke's magnetic-indexing circuit malfunctions (sensor failed or magnet missing) or the stepping-motor is defective (or its driving IC on the main PCB). The PAN-movement is not located in the default position after the reset.

TILT-movement Er

(TILT-head movement error) This message will appear after the reset of the fixture if the head's magnetic-indexing circuit malfunctions (sensor failed or magnet missing) or the stepping-motor is defective (or its driving IC on the main PCB). The TILT-movement is not located in the default position after the reset.

Power supply: 100V-240V AC, 50Hz / 60Hz

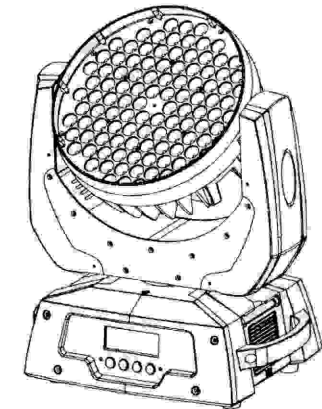
Power consumption: max. 360W

Packing dimensions: 48x34.5x44cm

Net weight: 9KGS

Gross weight: 11.5KGS

Remark: errors and omissions for every information given in this manual excepted. All information is subject to change without prior notice.



KEEP THIS MANUAL FOR FUTURE NEEDS

Features:

36 * 10W high power RGBW 4-in-1 LED

Extremely Long Life:50.000 Hr and low power consumption

DMX channel:16 channels

Zoom function

Pan/tilt movement: 8 bit and 16 bit resolution

For smooth and precise resolution

Pan: 540 optional, Tilt: 265 movement

High speed of pan/tilt movement, speed of pan/tilt movement is adjustable

Scan position memory, auto reposition after unexpected movement

Strobe effect with 18 flashes per second and pulse effect

General dimming and blackout for all four colors

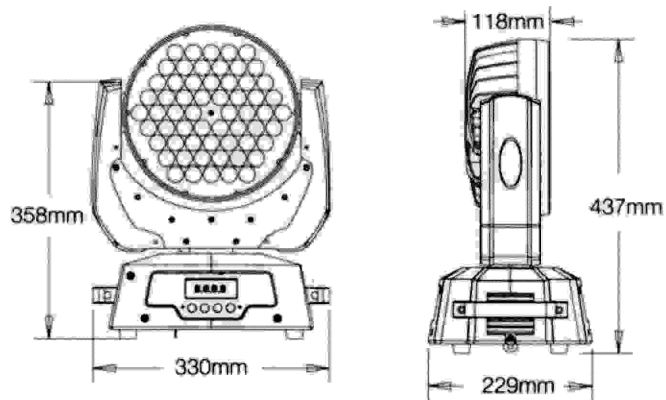
Excellent color mixing and rainbow effect

Friendly blue LCD display

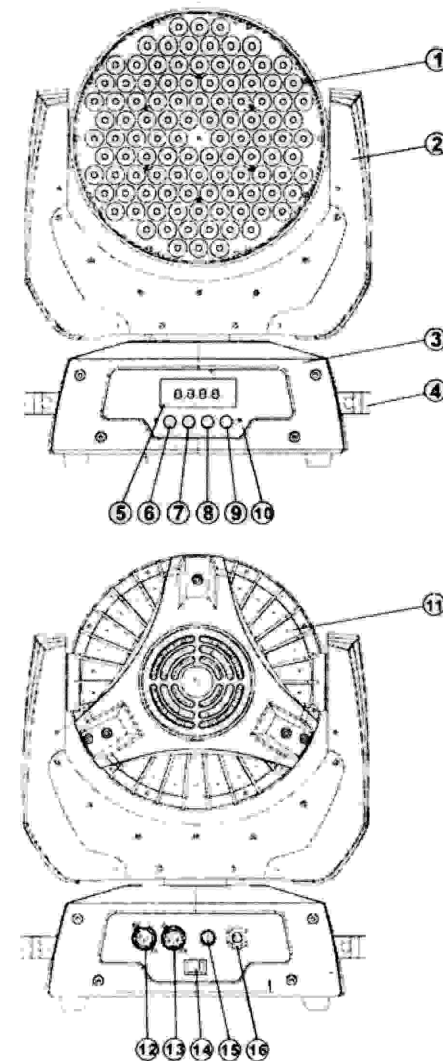
Preset program: 7 built in programs can be called up via DMX controller

RDMX: remote DMX addressing, lamp on / off, Sound control switch by controller

Dimension:



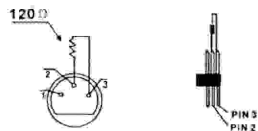
OVERVIEW



- (1) Lens
- (2) Yoke
- (3) Base
- (4) Carrying handle
- (5) LCD-Display
- (6) Mode/esc-button
- (7) Up-button
- (8) Down-button
- (9) Enter-button
- (10) Control Board
- (11) Housing
- (12) 3-PIN DMX output socket
- (13) 3-PIN DMX input socket
- (14) Power switch
- (15) Fuse
- (16) Power supply

DMX-512 connection with DMX terminator

For installations where the DMX cable has to run a long distance or is in an electrically noisy environment, such as in a discotheque, it is recommended to use a DMX terminator. This helps in preventing corruption of the digital control signal by electrical noise. The DMX terminator is simply an XLR plug with a 120 resistor connected between pins 2 and 3, which is then plugged into the output XLR socket of the last fixture in the chain. Please see illustrations below.



Projector DMX starting address selection

All fixtures should be given a DMX starting address when using a DMX signal, so that the correct fixture responds to the correct control signals. This digital starting address is the channel number from which the fixture starts to listen to the digital control information sent out from the DMX controller. The allocation of this starting address is achieved by setting the correct number on the display located on the base of the device.

You can set the same starting address for all fixtures or a group of fixtures, or make different address for each fixture individually.

If you set the same address, all the units will start to listen to the same control signal from the same channel number. In other words, changing the settings of one channel will affect all the fixtures simultaneously.

If you set a different address, each unit will start to listen to the channel number you have set, based on the quantity of control channels of the unit. That means changing the settings of one channel will affect only the selected fixture.

In the case of the moving head, which is 13 channels fixture when you select the standard channel mode, you should set the starting address of the first unit to 1, the second unit to 17(16+1), the third unit to 33(16+17), and so on.

Control Board

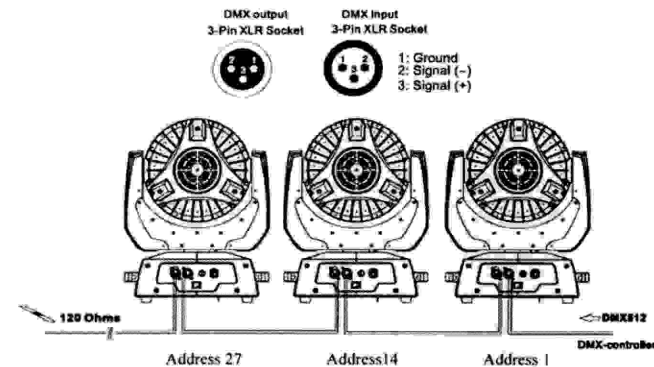
The Control Board offers several features: you can simply set the starting address, switch on and off the lamp, run the pre-programmed program or make a reset.

The main menu is accessed by pressing the **Mode/esc**-button until the display starts flashing. Browse through the menu by pressing the **Up**-button or **Down**-button. Press the **Enter**-button in order to select the desired menu. You can change the selection by pressing the **Up**-button or **Down**-button. Confirm every selection by pressing the **Enter**-button. You can leave every mode by pressing the **Mode/esc**-button. The functions provided are described in the following sections.

To access display Menu via the internal battery, press the **UP& DOWN** buttons simultaneously. Display will automatically switch off after about 10 seconds from last button press.

DMX-512 control connection

Connect the provided XLR cable to the female 3-pin XLR output of your controller and the other side to the male 3-pin XLR input of the moving head. You can chain multiple Moving head together through serial linking. The cable needed should be two core, screened cable with XLR input and output connectors. Please refer to the diagram below.



36RGBW Zoom V1.0					
DMX Address	1	DMX Address =001			
Auto Play	2	Inside Program	.=Alone		
			.=Master		
		Music Control	.=Alone		
.=Master					
		Slave Control	Slave Run		
Reset	3	.=OFF			
		.=ON			
Reverse Pan	4	.=OFF			
		.=ON			
Reverse Tilt	5	.=OFF			
		.=ON			
Mic Sensitivity	6	.=000%-100%			
Special	7	Reset Default	1	.=OFF	
				.=ON	
	Calibration	2	Code	Code	=000
			PAN	PAN	=000
			TILT	TILT	=000
			Red	Red	=000
			Green	Green	=000
			Blue	Blue	=000
			White	White	=000
	Focus	Focus	=000		
	Temperature	3	Temperature		
			=000C		
	Manual Control	4	PAN	PAN	=000
			PAN-Fine	PAN-Fine	=000
			TILT	TILT	=000
			TILT-Fine	TILT-Fine	=000
			Move Speed	Move Speed	=000
			Dimmer	Dimmer	=000
			Strobe	Strobe	=000
Red			Red	=000	
Green			Green	=000	
Blue			Blue	=000	
White	White	=000			
Focus	Focus	=000			
Version	8	V1.0			

Function Mode

DMX address setting

With this function, you can adjust the desired DMX-address via the Control Board.

Select via the encoder.

Press the encoder, adjust the DMX address by turning the encoder.

Press the encoder to confirm.

Press the Mode/Esc-button in order return to the main menu.

Set DMX address

Display the DMX 512 value of each channel

With this function you can display the DMX 512 value of each channel. The display automatically shows the channel with a value changing.

Slave setting

With this function, you can define the device as slave.

Auto Program

With this function, you can run the internal program. You can select the desired program under

.You can set the number of steps under .You can edit the

individual scenes under .With this function, you can run the individual scenes either automatically, i.e. with the adjusted Step-Time.

Music control

With this function, you can run the internal program.sound-controlled.

Information

Time information

Current Time

With this function, you can display the temporary running time of the device from the last power on. The display shows XXXX, XXXX stands for the number of hours. The counter is resetted after turning the device off.

Total life Hours

With this function, you can display the running time of the device. The display shows XXXX, XXXX stands for the number of hours.

Last Run Hours

With this function, you can display last the running time of the lamp. The display shows XXXX , XXXX stands for the number of hours.

Time Password

With this function, you can display the timer password. The time password is 18.

Clear Last Run

With this function, you can clear last run time of the fixture. The display shows ON or OFF , Press Enter to confirm.

Temp. Info.

Head Temp

With this function you can display the temperature on the display board of the base (near CMY-filter) in Celsius.

Software version

With this function you can display the software version of the device.

Select **Software version** by turning the encoder.

Press the encoder, the display shows V-X.X , X.X stands for the version number, e.g. V-1.0 , V-2.6 .

Turn the encoder in order to read the version of every individual IC.

Press the Mode/Esc-button in order to return to the main menu.

PERSONALITY

With this function, you can adjust the desired DMX-address via an external controller.

Select by turning the encoder.

Press the encoder, the display shows ON or OFF .

Turn the encoder to select ON if you wish to enable this function or OFF if you don't.

Press the encoder to confirm.

Press the Mode/Esc-button in order to return to the main menu.

On the controller, set the DMX-value of channel 1 to 7 .

Set the DMX-value of channel 2 to 7 or 8 . When set to 7 you can adjust the starting address between 1 and 255. When set to 8 you can adjust the starting address between 256 and 511.

Set the DMX-value of channel 3 to the desired starting address. If you want to set the starting address to 57, set channel 1 to 7 , channel 2 to 7 and channel 3 to 57 . If you want to set the starting address to 420, set channel 1 to 7 , channel 2 to 8 and channel 3 to 164 (256+164=420).

Wait for approx. 20 seconds and the unit will carry out a reset. After that, the new starting address is set.

No DMX Status

With this function, when the drive is not DMX signal, it runs automatic, close, hold and music, the default is hold.

Pan Reverse

Tilt Reverse

With this function you can reverse the Pan-movement.

With this function you can reverse the Tilt-movement.

Fine resolution

With this function, you can fine resolution switch of pan movement or tilt movement.

Pan Degree

With this function, you can select pan degree for 630 or 540.

Feedback

Address via DMX

With this function, you can feedback switch of pan movement or tilt movement.

Movement Speed

With this function, you can select scan mode from 1 to 4.

Mic Sensitivity

With this function, the default is 70%. you can select the desired microphone sensitivity from 0 % to 99 %

Service setting

Service Password

With this function, you can set the service password.

Fan Voltage

With this function, you can select fan voltage for high or low, the default is low

Attention: The model is not recommended when ambient temperature is higher than 15 Celsius degree.

Fans Control

With this function, you can set the speed of the running fans. The selections have Auto high and low.

Display Setting

Shut off time

With this function, you can shut off the LCD display after 2 to 59 minutes. Turn the encoder in order to select the desired shut off time.

Temperature C/F

With this function, Display the temperature for Celsius or Fahrenheit.

Initial effect

With this function, Display initial effect position.

Reset Default

With this function, you can select restore factory set for ON or OFF, the default is OFF.

Reset-functions

Effect Adjust

With this function, you can reset the device via the Control Board. You can select the different reset functions by turning the encoder.

Lamp adjustment

With this function, you can adjust the lamp more easily. All effects will be canceled, the shutter opens and the dimmer intensity will be set to 100 %. With the individual functions, you can focus the light on a flat surface (wall) and perform the fine lamp adjustment.

Calibrate values

With this function, you can calibrate and adjust the effect wheels to their correct positions. The password of calibrate values is 050.

Users Mode Set

With this function, you can create user defined channel orders.

User mode

In this menu, user can select different channels list by different sequence:

For example, after the user enter this manual, if select Auto Program = CH 22, means in this User s mode, the Dimmer is in Channel 16.

Channel		Function
1	000 - 255	X
2	000 - 255	X Fine
3	000 - 255	Y
4	000 - 255	Y Fine
5	000 - 255	XY Speed from Max to Min
6	000 - 255	Dimmer (0 ~ 100%)
7	000 - 009	Strobe (Close)
	010 - 250	Strobe effect slow to fast
	251 - 255	Strobe (Open)
8	000 - 255	Red (0 ~ 100%)
9	000 - 255	Green (0 ~ 100%)
10	000 - 255	Blue (0 ~ 100%)
11	000 - 255	White (0 ~ 100%)
12	000 - 255	Focus
13	000 - 000	ColorTemperature (Disable)
	001 - 255	ColorTemperature from low to high
14	000 - 010	MacroColorStep (Disable)
	011 - 020	R

15	021 - 030	G
	031 - 040	B
	041 - 050	W
	051 - 060	R+G
	061 - 070	G+B
	071 - 080	B+W
	081 - 090	R+B
	091 - 100	G+W
	101 - 110	R+W
	111 - 120	R+G+B
	121 - 130	R+G+W
	131 - 140	G+B+W
	141 - 150	R+G+B+W
	151 - 255	Jump from slow to fast
	15	000 - 010
011 - 255		Slow from slow to fast
16	000 - 020	Empty
	021 - 040	Internal program 1
	041 - 060	Internal program 2
	061 - 080	Internal program 3
	081 - 100	Internal program 4
	101 - 120	Internal program 5
	121 - 140	Internal program 6
	141 - 160	Internal program 7
	161 - 180	Internal program 8
	181 - 200	Empty
	201 - 225	Motor Reset
	226 - 255	Empty

ERROR MESSAGE

When you turn on the fixture, it will make a reset first. The display may show XXEr while there are problems with one or more channels. XX stands for channel 1, 2, 3, etc who has the testing sensor for positioning.

For example, when the display shows Red Er, it means there is some error in channel 1. If there are some errors on channel 1, channel 2, channel 5 at the same time, you may see the error message Red Color Er, Green Er, Pan Er flash repeated for 5 times, and then the fixture will generate a reset signal, all the stepper reset. If the fixture remain error message after performing reset more than 3 times, it will detect whether the fixture has more than 3 errors. If the fixture has more than 3 errors (including 3 errors), all the channels can not work properly, but if the fixture has less than 3 errors, only the channels which have errors can not work properly, others can work as usual.